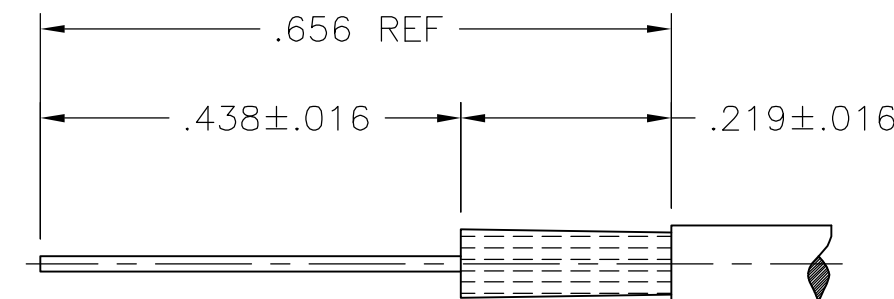
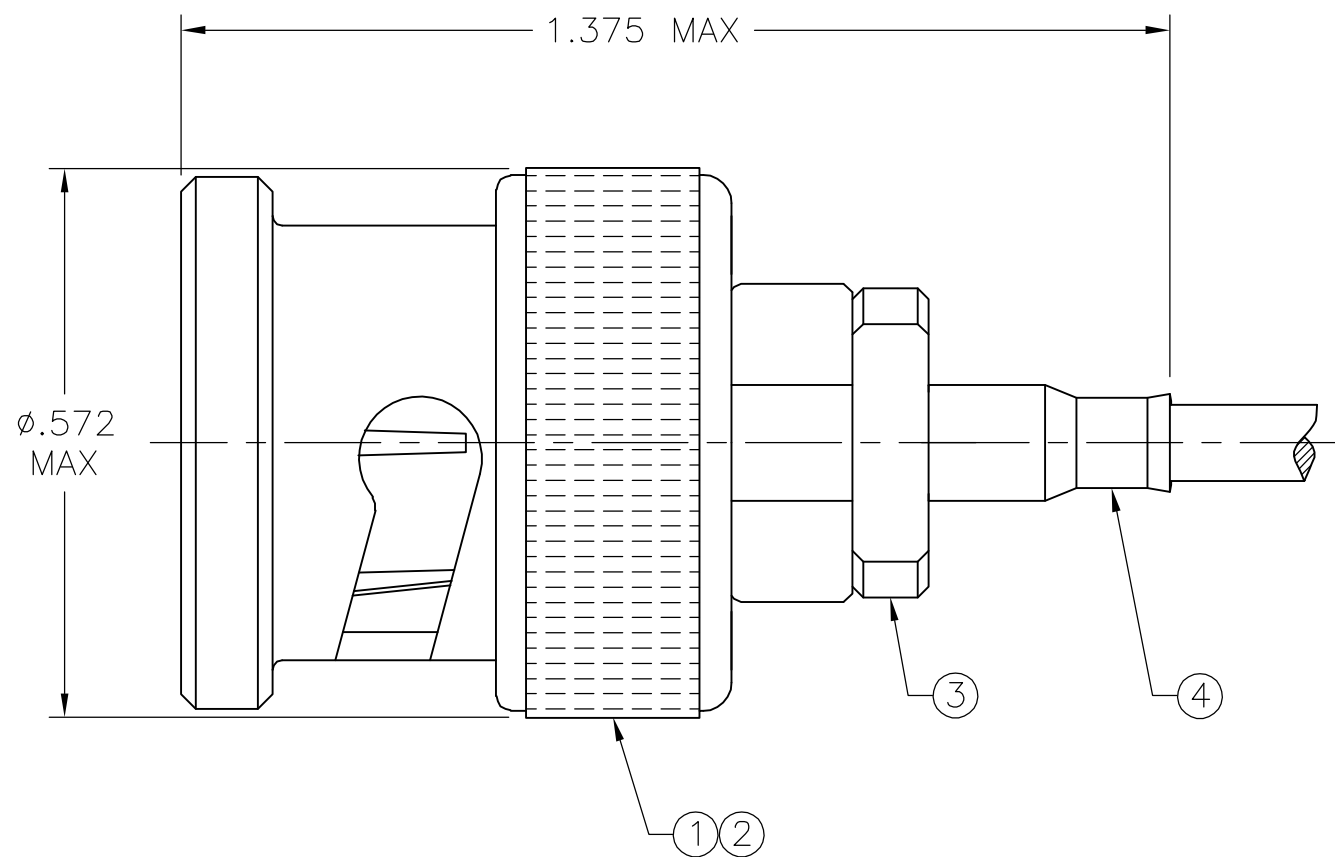


THIS DRAWING IS UNPUBLISHED. RELEASED FOR PUBLICATION
 © COPYRIGHT BY TYCO ELECTRONICS CORPORATION. ALL RIGHTS RESERVED.

LOC	DIST	REVISIONS			
P	LTR	DESCRIPTION	DATE	DWN	APVD
AJ	16	A	REV PER ECO 06-002539	06APR06	GB JH

- FOR USE WITH: RG-161/U, 179/U & 187/U CABLE.
- USE CRIMPING TOOL: PROCRIMPER II 354940-1 WITH DIE SET 91910-1.
- SEE INSTRUCTION SHEET 408-1799-1.



RECOMMENDED STRIP LENGTH

9-328666-3	9-50780-2	2-329106-1	9-329804-0	2-5329446-1
④ FERRULE QTY=1	③ CRIMP AND ASSY QTY=1	② GASKET QTY=1	① PLUG ASSEMBLY QTY=1	PART NUMBER

THIS DRAWING IS A CONTROLLED DOCUMENT.		DWN B. MCMASTER 10DEC05	Tyco Electronics Corporation Harrisburg, PA 17105-3608	
DIMENSIONS: INCHES		CHK J. LIPPERT 10DEC05		
TOLERANCES UNLESS OTHERWISE SPECIFIED:		APVD J. LIPPERT 10DEC05	NAME CONNECTOR, COAXIAL RF PLUG, SERIES BNC	
0 PLC ± - 1 PLC ± - 2 PLC ± - 3 PLC ± - 4 PLC ± - ANGLES ± -		PRODUCT SPEC -	SIZE A3	CAGE CODE 00779
MATERIAL -		FINISH -	DRAWING NO C-5329446	RESTRICTED TO -
CUSTOMER DRAWING			SCALE 5:1	SHEET 1 OF 1
			REV A	